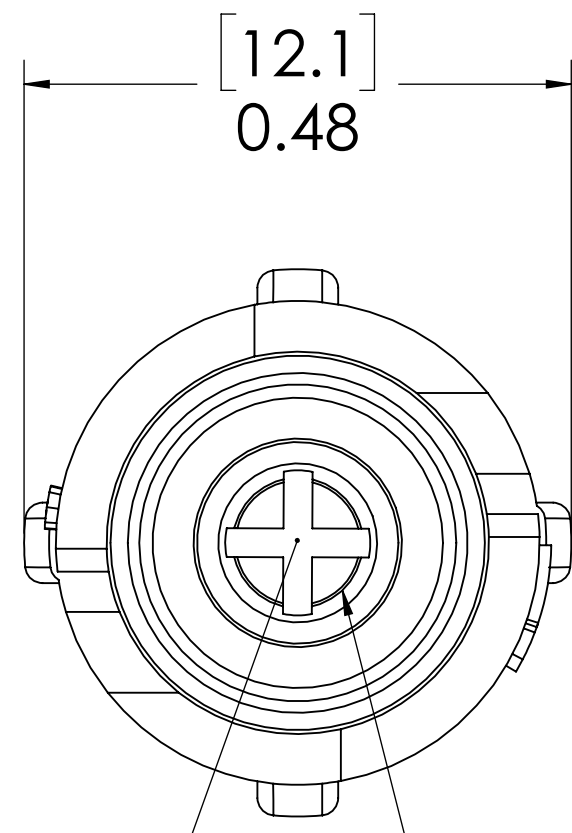
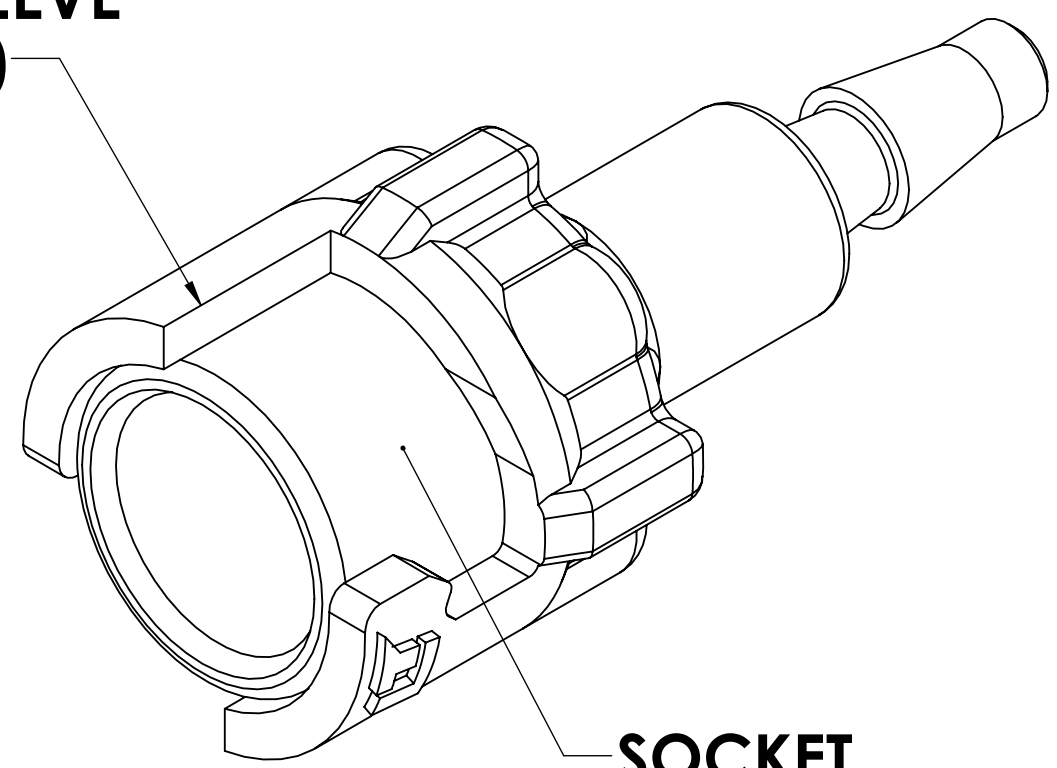


REVISIONS						
SHEET	ZONE	REV.	ECO	DESCRIPTION	DATE	APPROVED
1	ALL	NC	50136	INITIAL RELEASE	1/5/2015	HRC
1	ALL	A	50139	CHANGED P/N FROM 10ACV-SB2-03M TO ACV-SB2-M3	1/13/2015	HRC
1	ALL	B	50253	UPDATE DWG TO CURRENT FORMAT & STANDARDS	10/30/2018	HRC

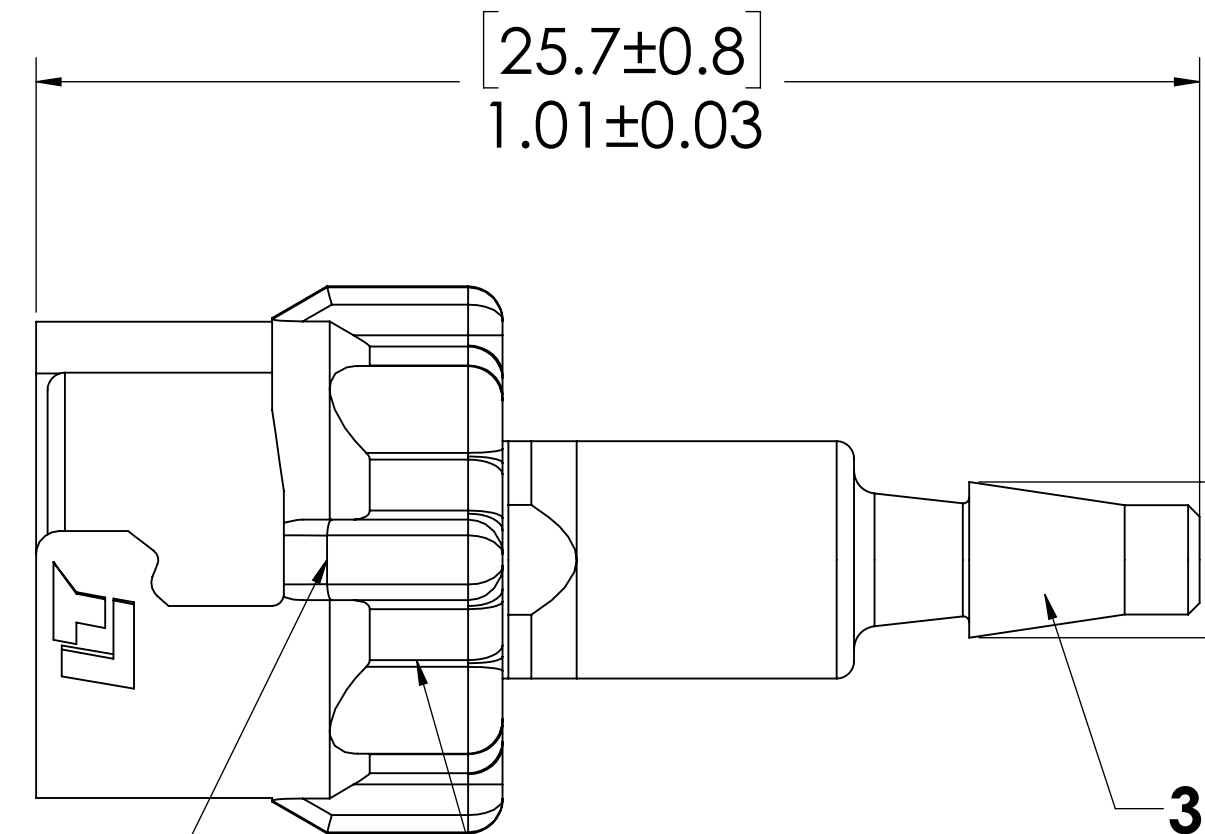
**LOCK SLEEVE  
(ACETAL)**

**SOCKET  
(ACETAL)**



**VALVE  
(ACETAL)**

**VALVE CAP  
INTERNAL  
(STAINLESS STEEL)**




**VALVE SPRING  
INTERNAL  
(STAINLESS STEEL)**

**VALVE O-RING  
INTERNAL  
(BUNA-N)**

**3MM TUBE ID**

- NOTES:**
- MATERIAL: ACETAL
  - COLOR: NATURAL WHITE
  - O-RING MATERIAL: BUNA-N
  - O-RINGS LUBRICATED WITH FOOD GRADE SILICONE OIL, 350 CST.

**FOR REFERENCE ONLY**

<small>UNLESS OTHERWISE SPECIFIED: DIMENSIONS ARE IN INCHES TOLERANCES: FRACTIONAL ± 1/32 ANGULAR, MACH ± 0.5 BEND ± 2 ONE PLACE DECIMAL ± 0.1 TWO PLACE DECIMAL ± 0.01 THREE PLACE DECIMAL ± 0.005 TWO PLACE DUAL (mm) [± 0.12]</small>	DRAWN	LMP	5/3/2018	 <b>PART NO: 10ACV-SB2-M3</b> <b>DESCRIPTION: LinkTech 10AC Series Inline Coupling, Valved, 3mm HB</b>
	CHECKED	HRC	5/3/2018	
	ENG APPR.	HRC	10/30/18	
	MFG APPR.	BDB	10/30/18	
PRODUCTION	LS	10/30/18		<small>PROPRIETARY AND CONFIDENTIAL</small> <small>THE INFORMATION CONTAINED IN THIS DRAWING IS THE SOLE PROPERTY OF LINKTECH LLC. ANY REPRODUCTION OR DISCLOSURE IN PART OR AS A WHOLE WITHOUT THE WRITTEN PERMISSION OF LINKTECH LLC IS STRICTLY PROHIBITED.</small>
<small>COMMENTS:</small>		<b>SIZE</b> DWG. NO. <b>REV</b> <b>C</b> 10AC100056 <b>B</b>	<b>SCALE:</b> NTS <b>WEIGHT:</b> <b>SHEET</b> 1 OF 1	